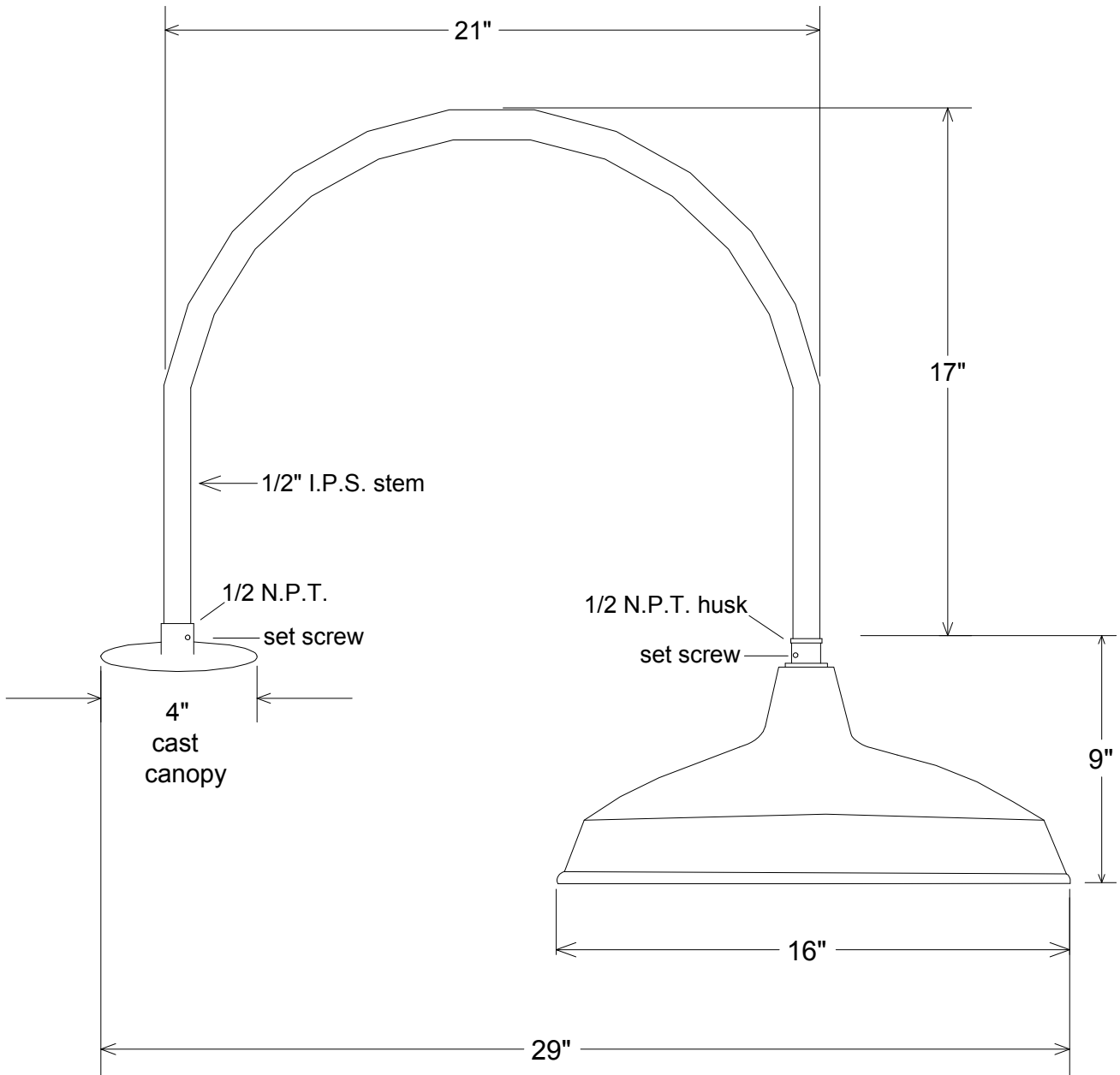
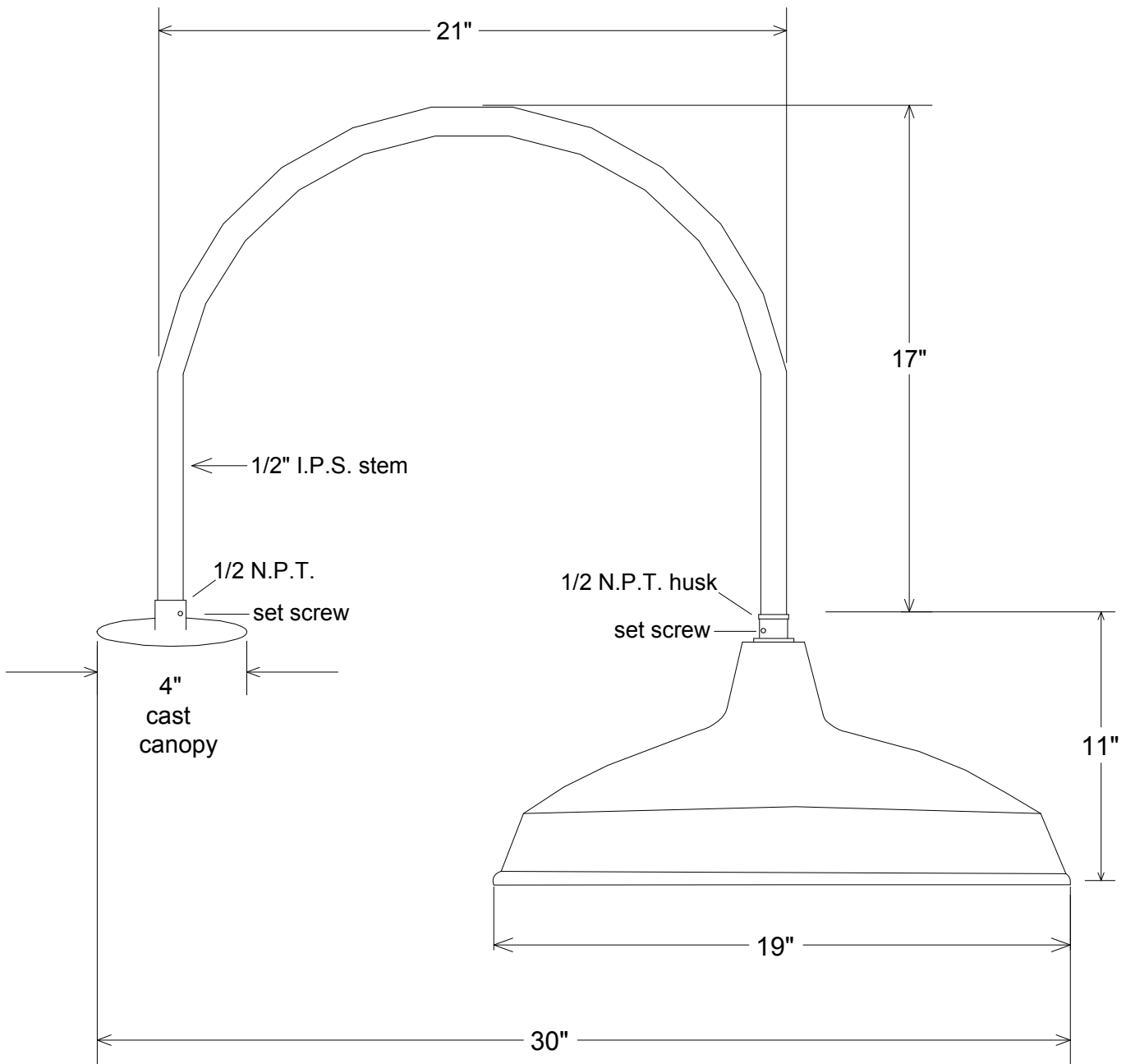


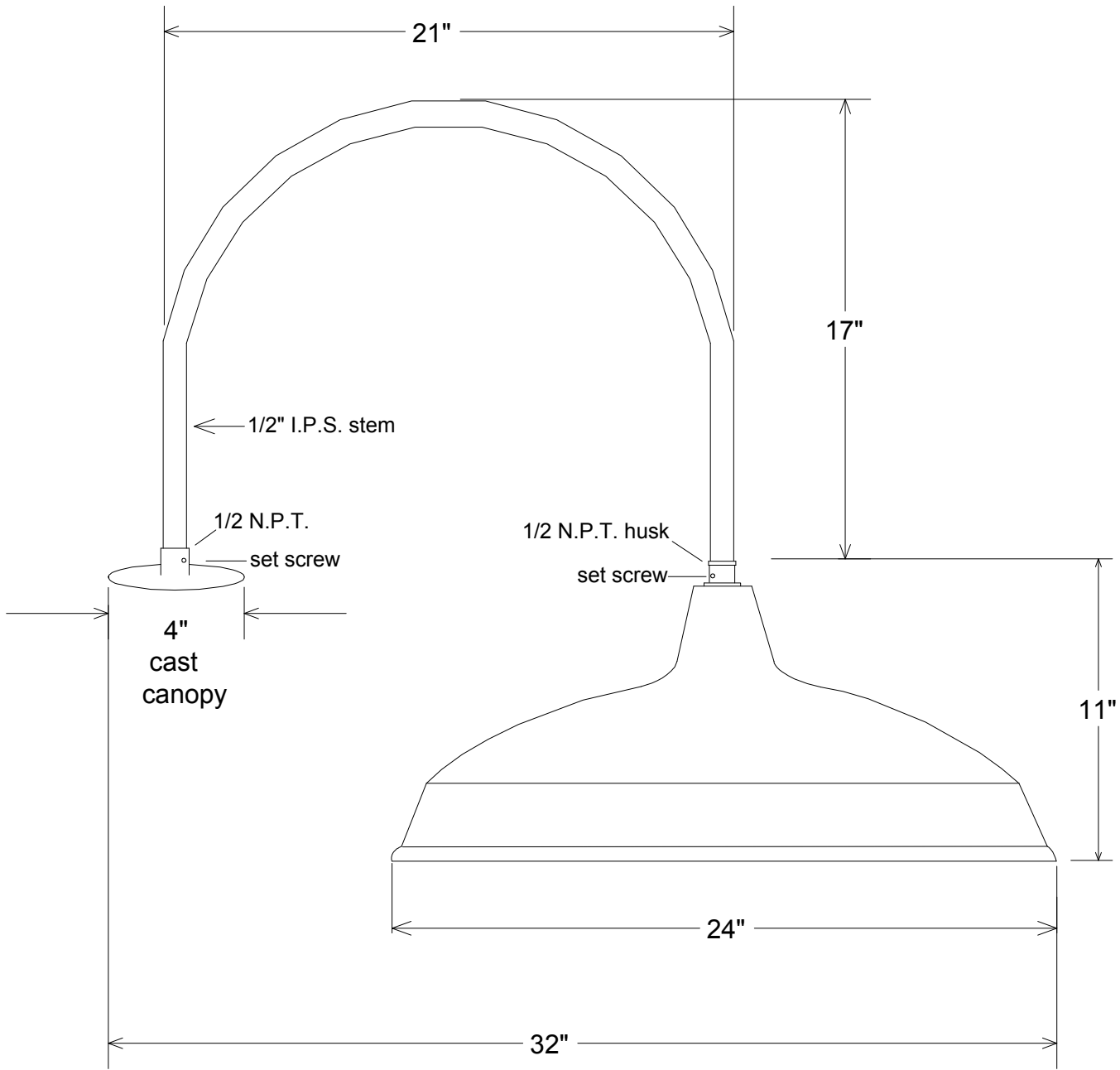
Unless Otherwise Specified: Dimensions in Inches Tolerances: Fractional ± Angular: Mach ± Bend ± Two Place Decimal ± Three Place Decimal ±		Name	Date	23/14-852		
	Drawn	T.A.R.	11/18/10			
	Checked					
	ENG Appr.					
	MFR Appr.					
	QA					
	Comments					
Construction: All Aluminum	CAD Generated Drawing Do Not Manually Update			Size	Drawing No.	Rev
Pipe Size: 1/2"				A	0001	A
Lamp: 1-150A				Scale	CAD File	Sheet
				1:4		1 of 1



Unless Otherwise Specified: Dimensions in Inches Tolerances: Fractional ± Angular: Mach ± Bend ± Two Place Decimal ± Three Place Decimal ±		Name	Date	23/16-852														
	Drawn	T.A.R.	11/18/10															
	Checked																	
	ENG Appr.																	
	MFR Appr.																	
	QA			<table border="1" style="width: 100%; border-collapse: collapse;"> <tr> <td style="width: 20%;">Size</td> <td style="width: 60%;">Drawing No.</td> <td style="width: 20%;">Rev</td> </tr> <tr> <td style="text-align: center;">A</td> <td style="text-align: center;">0001</td> <td style="text-align: center;">A</td> </tr> <tr> <td>Scale</td> <td>CAD File</td> <td>Sheet</td> </tr> <tr> <td style="text-align: center;">1:4</td> <td></td> <td style="text-align: center;">1 of 1</td> </tr> </table>			Size	Drawing No.	Rev	A	0001	A	Scale	CAD File	Sheet	1:4		1 of 1
Size	Drawing No.	Rev																
A	0001	A																
Scale	CAD File	Sheet																
1:4		1 of 1																
Construction: All Aluminum	Comments CAD Generated Drawing Do Not Manually Update																	
Pipe Size: 1/2"																		
Lamp: 1-200A																		



Unless Otherwise Specified: Dimensions in Inches Tolerances: Fractional ± Angular: Mach ± Bend ± Two Place Decimal ± Three Place Decimal ±		Name	Date	23/19-852		
	Drawn	T.A.R.	11/18/10			
	Checked					
	ENG Appr.					
	MFR Appr.					
	QA					
Construction: All Aluminum	Comments CAD Generated Drawing Do Not Manually Update			Size	Drawing No.	Rev
Pipe Size: 1/2"				A	0001	A
Lamp: 1-200A				Scale	CAD File	Sheet
				1:4		1 of 1



Unless Otherwise Specified: Dimensions in Inches Tolerances: Fractional ± Angular: Mach ± Bend ± Two Place Decimal ± Three Place Decimal ±		Name	Date	23/24-852		
	Drawn	T.A.R.	11/18/10			
	Checked					
	ENG Appr.					
	MFR Appr.					
	QA					
	Comments					
Construction: All Aluminum	CAD Generated Drawing Do Not Manually Update			Size	Drawing No.	Rev
Pipe Size: 1/2"				A	0001	A
Lamp: 1-200A				Scale	CAD File	Sheet
				1:4		1 of 1