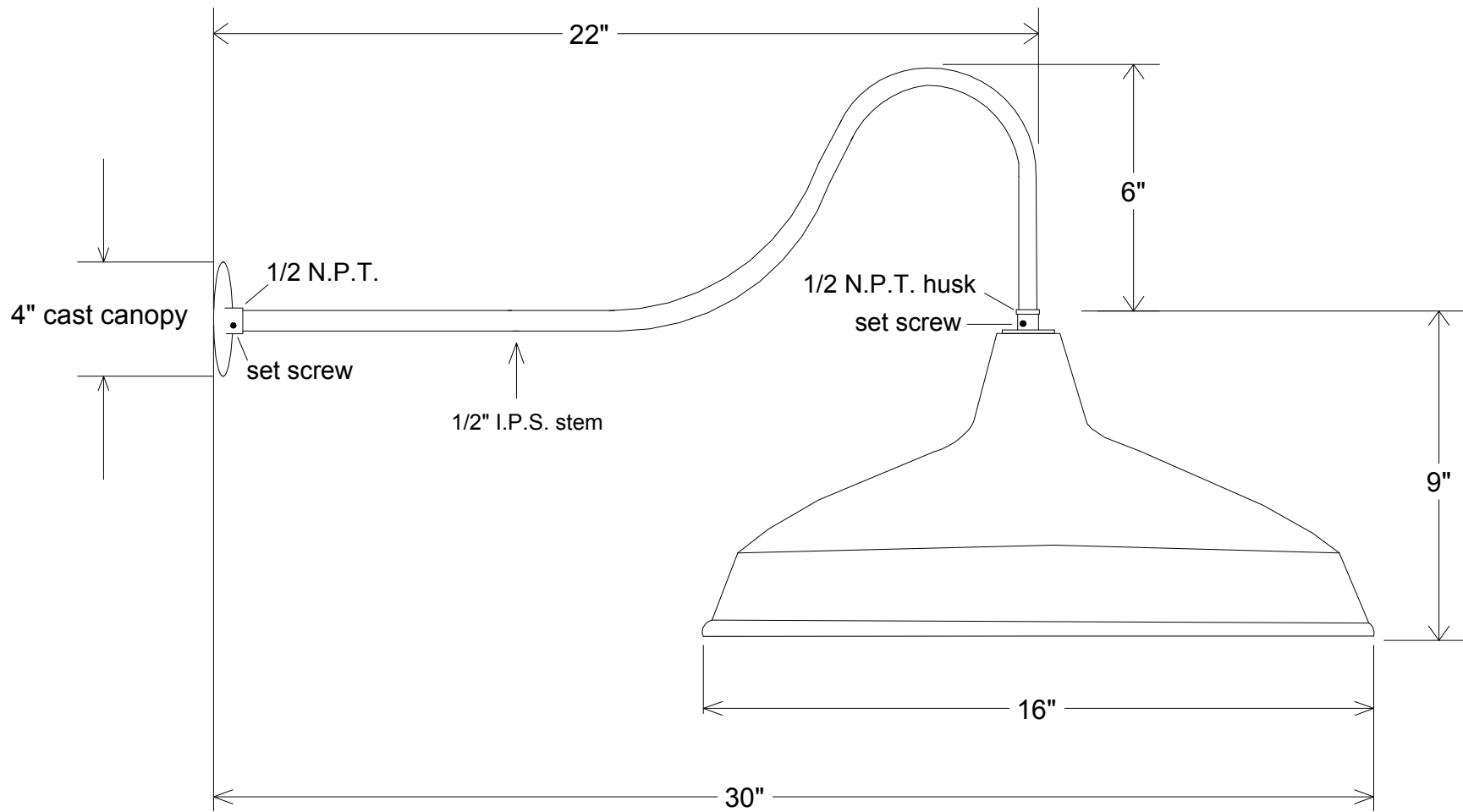
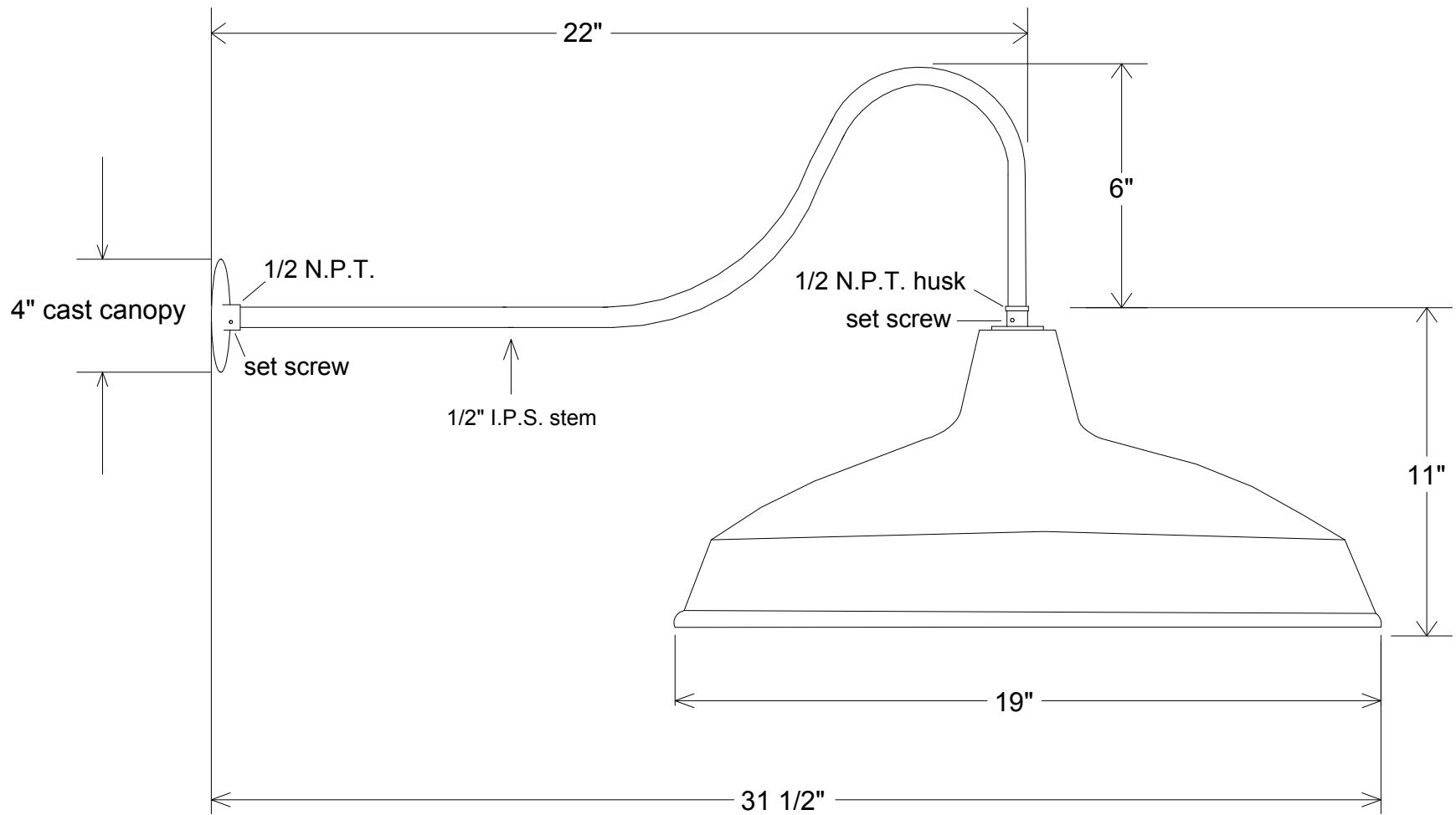


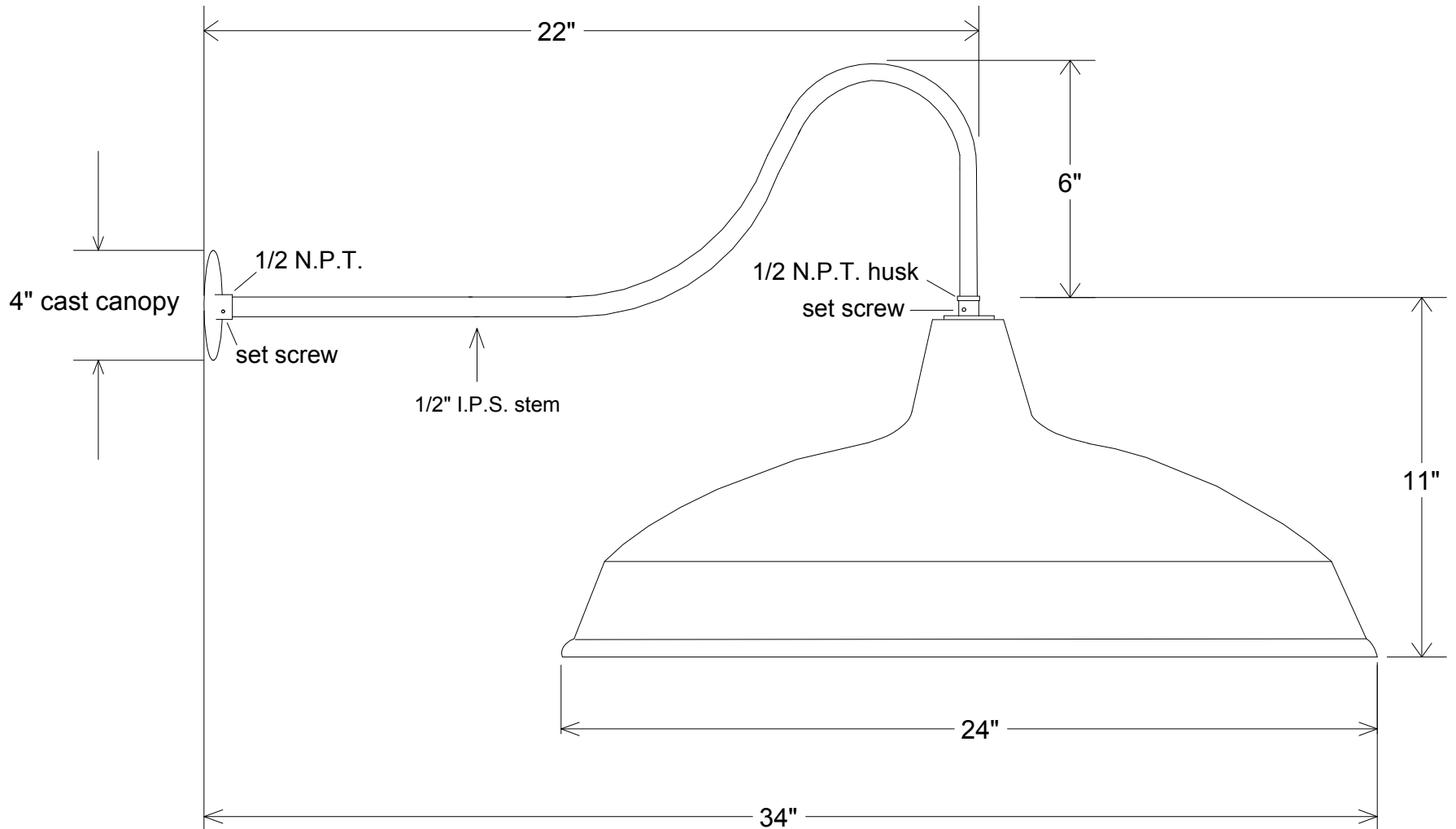
| | | | | | | |
|--|---|--------------------|-----------------|------------------|---------------|--|
| Unless Otherwise Specified: Dimensions in Inches Tolerances: Fractional ± Angular: Mach ± Bend ± Two Place Decimal ± Three Place Decimal ± | | Name | Date | 23/14-857 | | |
| | Drawn | T.A.R. | 11/24/10 | | | |
| | Checked | | | | | |
| | ENG Appr. | | | | | |
| | MFR Appr. | | | | | |
| QA | | | | | | |
| Comments | CAD Generated Drawing Do Not Manually Update | | | | | |
| Construction: All Aluminum | | | | | | |
| Pipe Size: 1/2" | Size | Drawing No. | | Rev | | |
| Lamp: 1-150A | A | 0001 | | A | | |
| | Scale | 1:5 | CAD File | Sheet | 1 of 1 | |



| | | | | | | |
|--|---|-------------|--|------------------|--|--|
| Unless Otherwise Specified: Dimensions in Inches Tolerances: Fractional ± Angular: Mach ± Bend ± Two Place Decimal ± Three Place Decimal ± | | Name | Date | 23/16-857 | | |
| | Drawn | T.A.R. | 11/24/10 | | | |
| | Checked | | | | | |
| | ENG Appr. | | | | | |
| | MFR Appr. | | | | | |
| QA | | | Size Drawing No. Rev A 0001 A | | | |
| Comments | CAD Generated Drawing Do Not Manually Update | | | | | |
| Construction: All Aluminum | | | | | | |
| Pipe Size: 1/2" | | | | | | |
| Lamp: 1-200A | | | Scale 1:5 CAD File Sheet 1 of 1 | | | |



| | | | | | | |
|--|---|-------------|-------------|------------------|--------------------|-----------------|
| Unless Otherwise Specified: Dimensions in Inches Tolerances: Fractional ± Angular: Mach ± Bend ± Two Place Decimal ± Three Place Decimal ± | | Name | Date | 23/19-857 | | |
| | Drawn | T.A.R. | 11/24/10 | | | |
| | Checked | | | | | |
| | ENG Appr. | | | | | |
| | MFR Appr. | | | | | |
| | QA | | | | | |
| Construction: All Aluminum | Comments | | | Size | Drawing No. | Rev |
| Pipe Size: 1/2" | CAD Generated Drawing Do Not Manually Update | | | A | 0001 | A |
| Lamp: 1-200A | | | | Scale | 1:5 | CAD File |
| | | | | Sheet | 1 of 1 | |



| | | | | | | |
|--|---|-------------|--|------------------|--|--|
| Unless Otherwise Specified: Dimensions in Inches Tolerances: Fractional ± Angular: Mach ± Bend ± Two Place Decimal ± Three Place Decimal ± | | Name | Date | 23/24-857 | | |
| | Drawn | T.A.R. | 11/24/10 | | | |
| | Checked | | | | | |
| | ENG Appr. | | | | | |
| | MFR Appr. | | | | | |
| QA | | | Size Drawing No. Rev A 0001 A | | | |
| Comments | CAD Generated Drawing Do Not Manually Update | | | | | |
| Construction: All Aluminum | | | | | | |
| Pipe Size: 1/2" | | | | | | |
| Lamp: 1-200A | | | Scale 1:5 CAD File Sheet 1 of 1 | | | |