

Catalog Number

Project

Type

## FEATURES & SPECIFICATIONS

**APPLICATION** – The RV Series of Round Straight Bull Horns were designed to mount directly onto a 2-3/8" OD tenon to allow the mounting of multiple fixtures. It may be utilized with the majority of the Techlight product families (contact your sales associate for additional information).

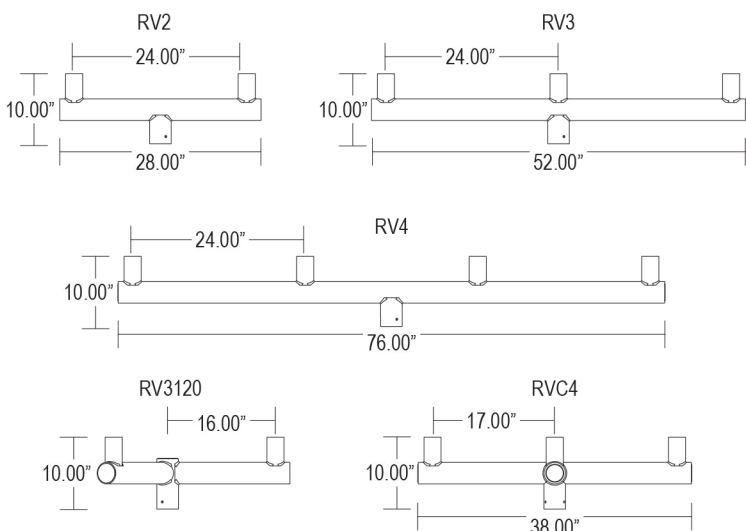
**CONSTRUCTION** – The heavy duty bull horn is constructed of aluminum tubing. Each vertical tenon provided is 4" tall with a 2-3/8" outside diameter. Welding follows industry standards best practices. Stainless steel hardware provided.

**FINISH** – A Super Durable Polyester powder coat finish is electrostatically applied in our state of the art paint facility. Standard colors available: Black, Bronze, US Green, White. Custom colors available upon request.



## Round Straight Bull Horns

# RV



Series	EPA (ft <sup>2</sup> )
<b>RV2</b>	0.9
<b>RV3</b>	1.4
<b>RV4</b>	2.0
<b>RV3120</b>	2.2
<b>RVC4</b>	2.2

## ORDERING INFORMATION

Choose the bold face options for the appropriate luminaire configuration for your application and enter on the line above each fixture attribute. Accessories may be factory installed, depending on the particular accessory chosen, but still be ordered as a separate line item.

Example: **RV3-BZ**

RV		
Series	Configuration	Finish
<b>RV</b>	<b>2</b> 2 Tenons In-Line	<b>BK</b> Black
	<b>3</b> 3 Tenons In-Line	<b>BZ</b> Bronze
	<b>4</b> 4 Tenons In-Line	<b>GR</b> US Green
<b>3120</b>	3 Tenons at 120°	<b>WH</b> White
<b>C4</b>	4 Tenons at 90°	<b>SP</b> Special <sup>1</sup>

NOTES

1 Custom RAL color matching is available.