



## High Lumen LED Power Floodlight

Catalog Number	
Project	Type



### FEATURES & SPECIFICATIONS

**APPLICATION** — The FRG is a high power LED flood light designed to perform and built to last. High performance optics maximize light intensity to provide consistent and uniform light patterns for a multitude of commercial, industrial or residential lighting applications.

**CONSTRUCTION** — The heavy duty housing is constructed of diecast aluminum. The optical assemblies are sealed in place using a silicone gasket for weather tight protection. Sealed wireway with anti-siphon leads.

**FINISH** — A Super Durable Polyester powder coat finish is electrostatically applied in our state of the art paint facility. Standard colors available: Black, Bronze, US Green, White. Custom colors available upon request.

**OPTICAL SYSTEM** — Made with a state of the art UV stabilized acrylic high performance refractive optical assemblies that use high transmissivity materials to achieve precise photometric distributions. Available in Type V Narrow, V Medium, and V Wide, and NSP beam configurations.

**ELECTRICAL SYSTEM** — Available in ANSI 3000K Warm White, 4000K Neutral White, or 5000K Cool White, 70 CRI min, propagated with CREE® XLamp XHP70 LED's. Available with 100-300V 50/60 Hz Class II power supply. LED's rated for over 50,000 hours at 25°C ambient temperature. 347V-480V input option available. 0-10V dimming. Built-in surge protection up to 10 kV. Built-in Active PFC Function >95%/ Full load. LED Power Supply conforms to UL8750 standards and is IP65 rated for wet locations. 0-10V dimming standard.

SERIES	HOUSING HEIGHT	LENGTH & WIDTH	EPA	WEIGHT
<b>FRG</b>	7.375"	9.375" x 7.65"	0.6	13 lbs

**MOUNTING** — Standard mounting option available is a 3/4" threaded knuckle mount or adjustable yoke mount with locking set screws. A tenon mount adaptor is available for mounting onto a 2-3/8" OD tenon (See Accessories).

**LISTINGS** — ETL Listed. Suitable for wet locations. Meets US and Canadian safety standards. -40°C to 50°C ambient operation. RoHS Compliant.

**WARRANTY** — The complete luminaire is covered by a 5-year limited warranty.

### ORDERING INFORMATION

Choose the bold face options for the appropriate luminaire configuration for your application and enter on the line above each fixture attribute. Accessories may be factory installed, depending on the particular accessory chosen, but still be ordered as a separate line item.

EXAMPLE:

**FRG C 20L T5N 1 AM BZ DLP**

FRG							
SERIES	COLOR TEMP	NOMINAL LUMENS	OPTICS	VOLTAGE	MOUNTING	FINISH	OPTIONS
<b>C</b> = Cool White (5000K) <b>N</b> = Neutral White (4000K) <b>W</b> = Warm White (3000K)	<b>5L</b> = 5,000 <b>8L</b> = 8,000 <b>11L</b> = 11,000 <b>14L</b> = 14,000 <b>17L</b> = 17,000 <b>20L</b> = 20,000	<b>T5N</b> = Type V Narrow <b>T5M</b> = Type V Medium <b>T5W</b> = Type V Wide <b>NSP</b> = Narrow Spot	<b>1</b> = Multi-Volt <sup>1</sup> <b>2</b> = 347V-480V	<b>AM</b> = 3/4" Adjustable knuckle <b>YM</b> = Yoke Mount	<b>BZ</b> = Bronze <b>BK</b> = Black <b>GR</b> = US Green <b>WH</b> = White <b>SP</b> = Special <sup>2</sup>	<b>P1000PC</b> = Button Type Photocell 120V (1000w) <b>PC3</b> = Button Type Photocell 208/277V (1200w) <b>DLP</b> = Dimming Leads Pulled	

### ACCESSORIES (Order as separate line items)

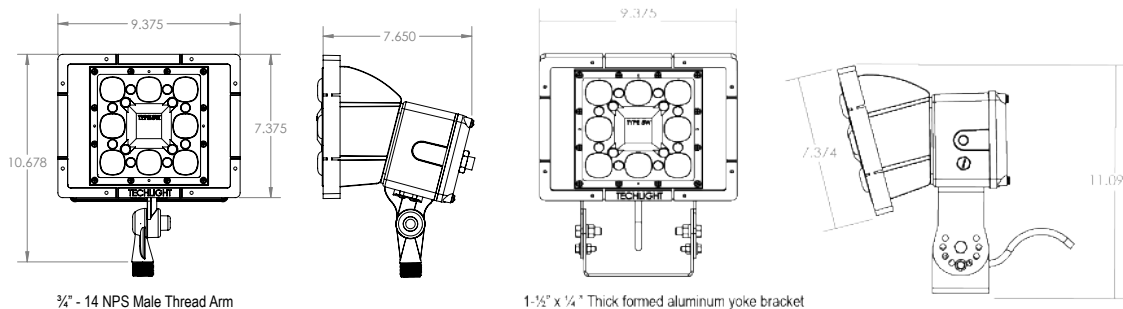
- FRG3SS** Three Sided Shield
- FRG4SS** Four Sided Shield
- TA34T238** Tenon Adaptor for 2-3/8" OD Tenon (for use with adjustable knuckle only)
- 132805XX<sup>3</sup>** Adjustable Stanchion Mount w/hand hole (XX indicates finish code, BZ, BK, GR, or WH)

### NOTES

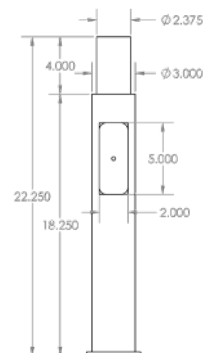
- 1= Multi-Volt is an auto ranging power supply from 100V to 300V input.
- 2= Custom RAL color matching is available. Contact your sales representative for additional info.
- 3 = **Adjustable Stanchion Mount** must be ordered with TA34T238 tenon adaptor.

### AVAILABLE FIXTURE DIMENSIONS

Dimensions shown are for fixture bodies only. Mounting options must be ordered separately.



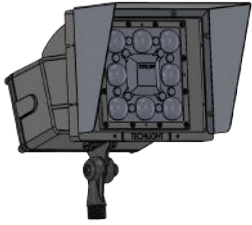
**Adjustable Stanchion Mount -**  
Must be ordered with TA34T238 tenon adaptor.



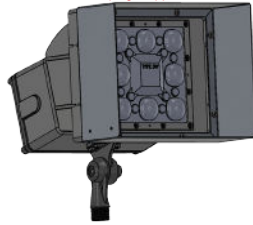
# FRG High Performance Floodlight

## FIXTURE & MOUNTING ACCESSORIES/OPTIONS

**FRG3SS**  
Three Sided Shield



**FRG4SS**  
Four Sided Shield  
*\*Do not use for up light application.*



**TA34T238**  
Tenon Adaptor for 2-3/8" OD Tenon



**P1000PC**  
Button-Type Photocell



(XX indicates finish code, BZ, BK, GR, or WH)  
**132805XX**  
Adjustable Stanchion Mount w/hand hole



Adjustable Stanchion Mount must be ordered with TA34T238 tenon adaptor.

## LUMINAIRE CHARACTERISTICS

### 5L

Drive Current	Color Temp	Delivered Lumens				System Wattage	L70 @ 25°C	Amperage Draw			
		TYPE 5N	TYPE 5M	TYPE 5W	NSP			120V	208V	240V	277V
320 mA	Neutral White (4000K)	5071	5374	4850	5100	33W	>50K	0.28A	0.16A	0.14A	0.12A
320 mA	Cool White (5000K)	5071	5374	4850	5100	33W	>50K	0.28A	0.16A	0.14A	0.12A

### 8L

Drive Current	Color Temp	Delivered Lumens				System Wattage	L70 @ 25°C	Amperage Draw			
		TYPE 5N	TYPE 5M	TYPE 5W	NSP			120V	208V	240V	277V
520 mA	Neutral White (4000K)	7992	8424	7722	7975	54W	>50K	0.45A	0.26A	0.23A	0.20A
520 mA	Cool White (5000K)	7992	8424	7722	7975	54W	>50K	0.45A	0.26A	0.23A	0.20A

### 11L

Drive Current	Color Temp	Delivered Lumens				System Wattage	L70 @ 25°C	Amperage Draw			
		TYPE 5N	TYPE 5M	TYPE 5W	NSP			120V	208V	240V	277V
700 mA	Neutral White (4000K)	10817	11700	10488	10720	76W	>50K	0.63A	0.37A	0.32A	0.27A
700 mA	Cool White (5000K)	10817	11700	10488	10720	76W	>50K	0.63A	0.37A	0.32A	0.27A

### 14L

Drive Current	Color Temp	Delivered Lumens				System Wattage	L70 @ 25°C	Amperage Draw			
		TYPE 5N	TYPE 5M	TYPE 5W	NSP			120V	208V	240V	277V
950 mA	Neutral White (4000K)	14280	14890	13566	14340	102W	>50K	0.85A	0.50A	0.43A	0.37A
950 mA	Cool White (5000K)	14280	14890	13566	14340	102W	>50K	0.85A	0.50A	0.43A	0.37A

### 17L

Drive Current	Color Temp	Delivered Lumens				System Wattage	L70 @ 25°C	Amperage Draw			
		TYPE 5N	TYPE 5M	TYPE 5W	NSP			120V	208V	240V	277V
1200 mA	Neutral White (4000K)	17010	17625	16125	17330	126W	>50K	1.05A	0.60A	0.53A	0.45A
1200 mA	Cool White (5000K)	17010	17625	16125	17330	126W	>50K	1.05A	0.60A	0.53A <td 0.45A	

### 20L

Drive Current	Color Temp	Delivered Lumens				System Wattage	L70 @ 25°C	Amperage Draw			
		TYPE 5N	TYPE 5M	TYPE 5W	NSP			120V	208V	240V	277V
1400 mA	Neutral White (4000K)	19732	20702	18680	19677	152W	>50K	1.25A	0.73A	0.63A	0.55A
1400 mA	Cool White (5000K)	19732	20702	18680	19677	152W	>50K	1.25A	0.73A	0.63A	0.55A



**WARNING:** Maintenance performed including the replacement of LED bricks while power is still supplied to the luminaire may result in system failures and will void the warranty.



**TECHLIGHT**  
INNOVATION IN ILLUMINATION

2009 McKenzie Drive Suite 110. | Carrollton, TX 75006 | PH: 800.225.0727 | | www.techlight.com