

LED COURTBLADE (XARL)



DOE LIGHTING FACTS

Department of Energy has verified representative product test data and results in accordance with its Lighting Facts Program. Visit www.lightingfacts.com for specific catalog strings.

LIGHT OUTPUT - XARL			
		Lumens (Nominal) Type FT	Watts (Nominal)
Cool White	HO	58977 ¹	528
Neutral White	HO	56960 ²	528

LED Chips are frequently updated therefore values may increase.

- 1- Verified by ITL Report
ITL 86921 (Available upon request)
2- Verified by ITL Report
ITL 86920 (Available upon request)

US patent D726,947 7,828,456 8,002,428 8,177,386 8,434,893 8,567,983 and US & Int'l. patents pending

SMARTTEC™ - LSI drivers feature integral sensor which reduces drive current, when ambient temperatures exceed rated temperature.

ENERGY SAVING CONTROL OPTION - DIM - 0-10 volt dimming enabled with controls by others.

EXPECTED LIFE - Minimum 60,000 hours to 100,000 hours depending upon the ambient temperature of the installation location. See LSI web site for specific guidance.

LEDS - Select high-brightness LEDs in Cool White (5000K), or Neutral White (4000K) color temperature, 70 CRI.

DISTRIBUTION/PERFORMANCE - High performance, multi-faceted, reflector provides uniform Forward Throw (FT) distribution with sharp backlight cutoff. Photometric data is tested in accordance with IESNA guidelines

HOUSING - One-piece, die-formed aluminum housing contains factory prewired driver in a gasketed, weather-resistant wiring compartment. Hinged wiring access door (with safety lanyard) located underneath. Fixture is IP65 rated.

OPTICAL UNIT - Clear tempered optical-grade flat glass lens permanently sealed to weather-tight aluminum optic frame (includes pressure-stabilizing breather).

MOUNTING - The fixture is furnished with installed stainless steel, threaded mounting studs protruding from the rear of the housing. Stainless steel nuts and washers used to secure the fixture to the bracket are also included.

ELECTRICAL - Two-stage surge protection (including separate surge protection built into electronic driver) meets IEEE C62.41.2-2002, Location Category C. Available with universal voltage power supply 120-277VAC (50/60Hz input) and 347-480 VAC.

DRIVER - Available in HO (High Output) drive current. Components are fully encased in potting material for moisture resistance. Driver complies with FCC standards. Driver and key electronic components can be easily accessed.

OPERATING TEMPERATURE - -40°C to +50°C (-40°F to +122°F)

FINISH - Fixtures are finished with LSI's DuraGrip® polyester powder coat finishing process. The DuraGrip finish withstands extreme weather changes without cracking or peeling.

WARRANTY - LSI LED fixtures carry a limited 5-year warranty.

PHOTOMETRICS - Please visit our web site at www.lsi-industries.com for detailed photometric data.

SHIPPING WEIGHT (in carton) - 55 lbs./24.9Kg

LISTING - UL listed to US and international safety standards. Suitable for wet locations.

This product, or selected versions of this product, meet the standards listed below. Please consult factory for your specific requirements.



Fixtures comply with ANSI C136.31-2010 American National Standard for Roadway Lighting Equipment - Luminaire Vibration 1.5G requirements.

Project Name _____ Fixture Type _____

Catalog # _____

LED COURTBLADE (XARL)

LUMINAIRE ORDERING INFORMATION

TYPICAL ORDER EXAMPLE: **XARL FT LED HO CW UE WHT**

Prefix	Distribution	Light Source	Drive Current	Color Temperature	Input Voltage	Finish	Options
XARL	FT - Forward Throw	LED	HO - High Output	CW - Cool White (5000K) NW - Neutral White (4000K)	UE - Universal Voltage (120-277V) 347-480 - Universal Voltage (347-480V)	BLK - Black BRZ - Bronze GPT - Graphite MSV - Metallic Silver PLP - Platinum Plus GRN - Green WHT - White	DIM - 0-10V Dimming (from External Signal)

LUMINAIRE EPA CHART - XARL (fixture & bracket)

Beam Spread	EPA
Single	1.2
D180°	2.4
D70°	1.8
Q90°	4.3

Note: House Side Shield adds to fixture EPA.
Consult Factory.

ACCESSORY ORDERING INFORMATION (Accessories are field installed)

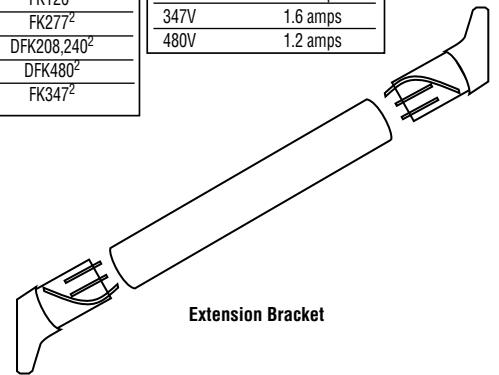
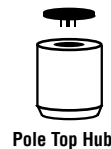
Description	Order Number
XLCL-FT-HSS RM - External House Side Shield (Black only - rear mounted)	610098BLK ¹
FK120 - Single Fusing (120V)	FK120 ²
FK277 - Single Fusing (277V)	FK277 ²
DFK208,240 - Double Fusing (208V, 240V)	DFK208,240 ²
DFK480 Double Fusing (480V)	DFK480 ²
FK347 Single Fusing (347V)	FK347 ²

ELECTRICAL REQUIREMENTS

120V	4.6 amps
208V	2.6 amps
240V	2.3 amps
277V	2.0 amps
347V	1.6 amps
480V	1.2 amps

BRACKET ORDERING INFORMATION

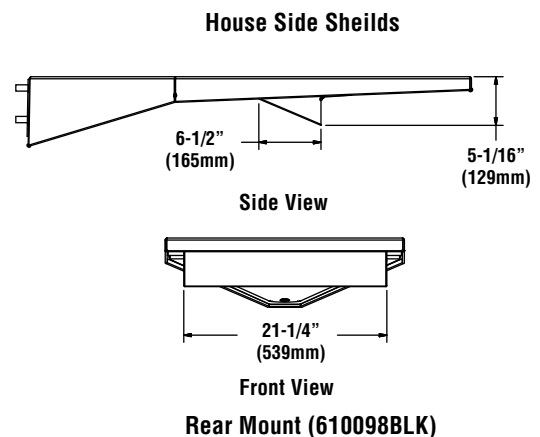
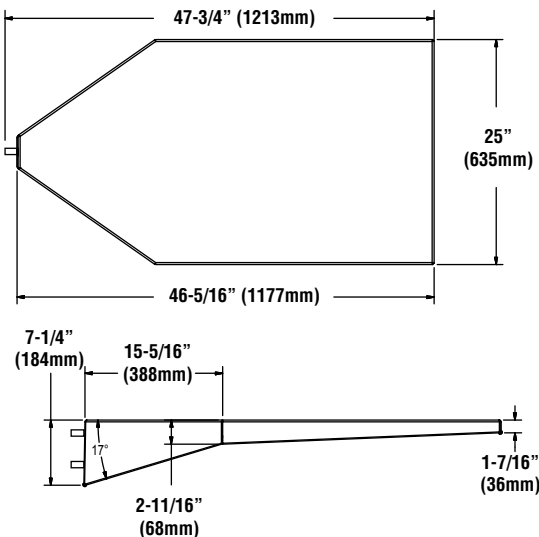
Bracket Designation	Bracket Type	Bracket Configuration	Length	Bracket Finish
BRKT - Extension Bracket ³	BO - Bolt On	S - Single	38"	BLK - Black BRZ - Bronze GPT - Graphite MSV - Metallic Silver PLP - Platinum Plus GRN - Green WHT - White
BRKT - Pole Top Hub ^{4,5}	4ESF - External Slipfitter	S - Single D180 - Double D70 - Double D90 - Double Q90 - Quad Q70 - Quad	*	



FOOTNOTES:

- 1 - House Side Shields add to fixture EPA. Consult factory.
- 2 - Fusing must be located in hand hole of pole.
- 3 - One extension bracket is required per fixture.
- 4 - Pole top hub will fit over 4" OD pole or 5" OD pole with 4" tenon.
- 5 - Cap is included with pole top hub.

DIMENSIONS



BUG CHARTS

XARL- TYPE FT

Drive Current	Color Temp.*	Lumens	Watts	LER	BUG Rating
HO	CW	58,977	528	112	B5-U0-G4
	NW	56,960	528	108	B5-U0-G5

* Color Temperature: NW-4000K, CW-5000K

Project Name _____ Fixture Type _____
 Catalog # _____