

# DIRECT BURIAL JUNCTION BOXES DBS & DBR SERIES

TYPE

NEMA 6

## SPECIFICATIONS

- Bronze high temperature fiberglass reinforced composite box and cover (heavy duty)
- Nema 12: below grade enclosure for direct burial applications
- UL 1838 and UL 1598 certified
- 1/2" NPS & 3/4" NPS bottom hubs for line voltage input & feed through.

Ships standard with 2x 1/2" NPS holes; one open one plugged

- 1/2" NPS hubs on cover for fixture and or photocell mounting (consult factory for details)
- Neoprene sponge gasket to keep enclosure dry, for DBR-55-JB O-RING: High temperature red silicone
- DBS-12-8JB & DBS-97-JB Covers secured with #10 3/4" Flat head stainless steel Phillips screws, DBS-66-JB, DBR-79-JB & DBR-55-JB Covers secured with 10-24 X 3/4" Flat head stainless steel Phillips screws
- Beveled Top to allow for drainage

## WARRANTY

- 3 year warranty

## INSTALLATION NOTES

- All Direct Burial Junction boxes must be accessible for servicing. Install at highest grade to allow water to run off. Usually 1/2" or 1" higher than grade
- Must be installed away from standing water



DBS-12-8JB



DBS-97-JB



DBS-66-JB



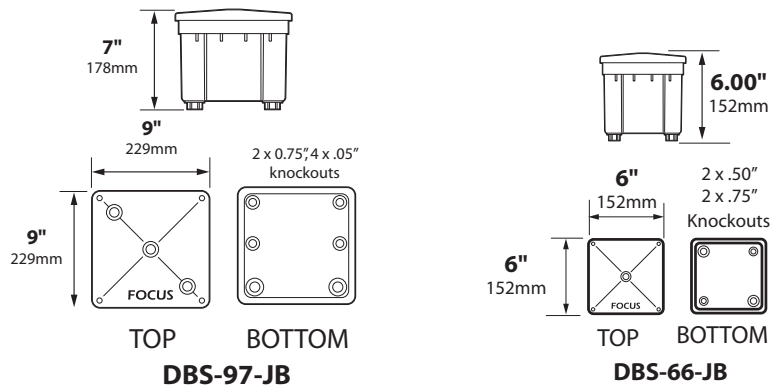
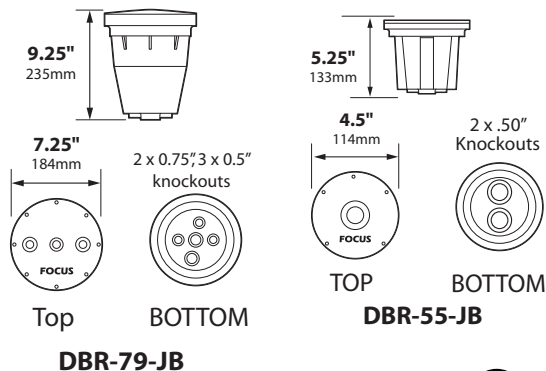
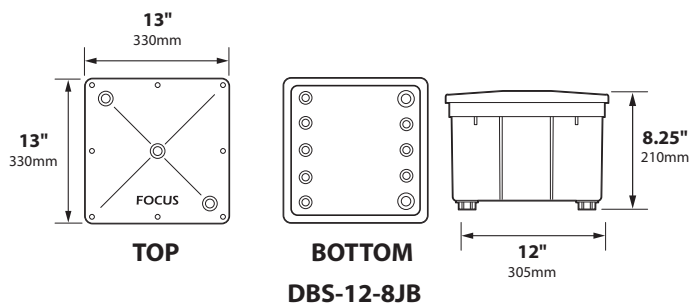
DBR-79-JB



DBR-55-JB

## ORDERING INFORMATION

CATALOG NO.	DESCRIPTION	SHIP WEIGHT
DBS-12-8JB	Direct Burial Junction Box, 12 x 12 x 8	3 lbs.
DBS-97-JB	Direct Burial Junction Box, 9 x 9 x 7	3 lbs.
DBS-66-JB	Direct Burial Junction Box, 6 x 6 x 6	2 lbs.
DBR-79-JB	Direct Burial Round Junction Box, 7 x 9	2 lbs.
DBR-55-JB	Direct Burial Round Junction Box, 4.5 x 5	2 lbs.
DBR-55-JBRS	Direct Burial Junction Box with Brass Cover	3 lbs.



JOB INFORMATION	
Type:	Date:
Job Name:	
Cat. No.:	
Lamp(s):	
Specifier:	
Contractor:	
Notes:	