

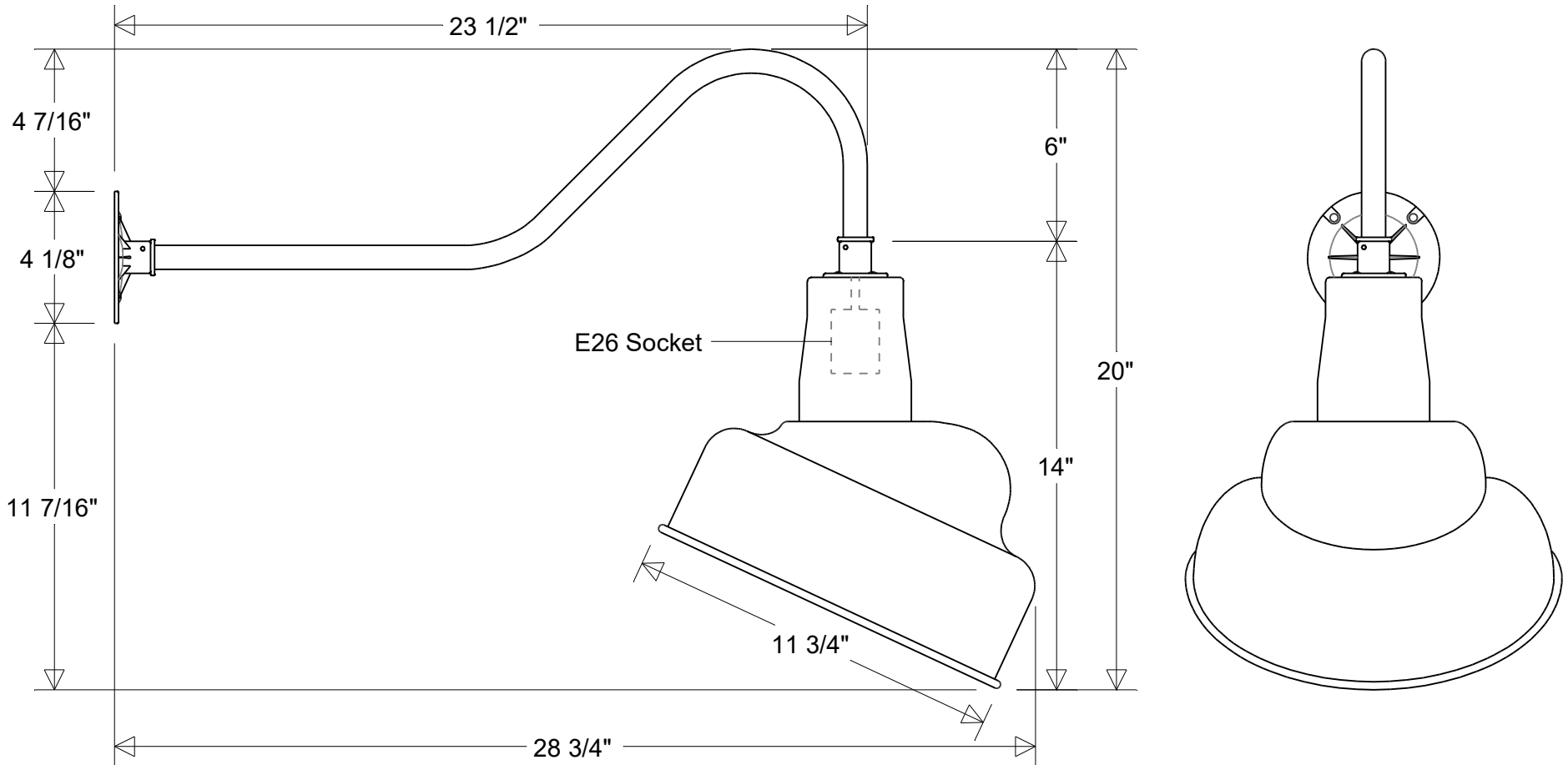


Primelite Manufacturing Corp.

407 S Main St, Freeport, NY 11520
 Phone: (516) 868-4411 | Fax: (516) 868-4609
 sales@primelite-mfg.com | www.primelite-mfg.com

PROUDLY MADE IN THE USA SINCE 1962!
"SPECIALTIES ARE OUR SPECIALTY!"

Job Info



#19/850

11 3/4" Dia | 20" H | 28 3/4" Ext
 Shade: #19A | Arm: #850

Lamp: E26 Socket Max Wattage: 200 W Number of Sockets: 1	Finish: 29 Oven Baked Powder Coated Paints	Drawn: CB 08/2025	Scale: 1/5	Approvals	
Voltage: 120 V	Material: Aluminum	Note: All dimensions are nominal. Actual dimensions may vary.			