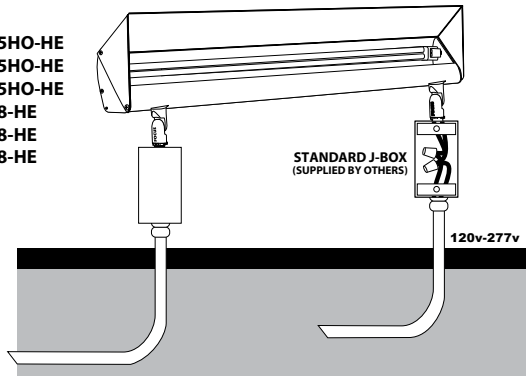


## INSTALLATION INSTRUCTIONS FOR 120 - 277 VOLT T5HO & T8 FLUORESCENT FLOOD LIGHTS

INSPECTED BY:

1. Make sure electrical supply power is shut off at circuit breaker before starting fixture installation or servicing of fixture.
2. Using thread sealant, thread fixture onto junction box or other mounting device (not supplied) until it is at desired direction. Tighten provided lock nut to ensure that the fixture is firmly locked into adjusted position.
3. Attach fixture leads to line in leads observing polarity (black to black, white to white and green to ground) using approved silicone-filled safety wire connectors.
4. Attach junction box cover plate to junction box (not supplied). Make sure that wires are not pinched between junction box cover and junction box.
5. Coat exposed fixture threads with thread sealant to prevent moisture from entering junction box or other mounting device.
6. Install lamp; refer to section below.
7. To adjust fixture aiming angle, loosen swivel screw. **Do not remove completely.** Hold fixture at selected angle and tighten swivel screw firmly with #2 Phillips screw driver.
8. Turn power on to the fixture and check for proper operation.

FFL-24-T5HO-HE  
FFL-39-T5HO-HE  
FFL-54-T5HO-HE  
FFL-17-T8-HE  
FFL-25-T8-HE  
FFL-32-T8-HE



### LAMP INSTALLATION/REPLACEMENT:

**CAUTION: Do not exceed maximum wattage marked on fixture label.**

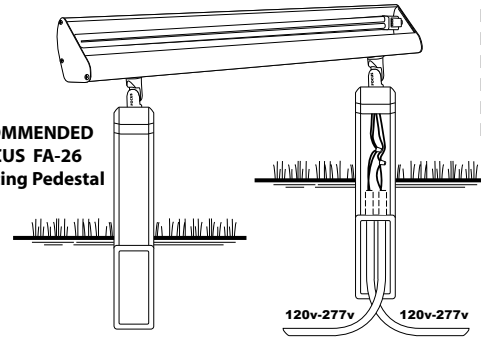
1. To prevent electrical shock, turn off electrical power supply before servicing.
2. Remove 2 side plate screws, loosen third screw and pivot side plate.

120v Install FFL T5HO/T8

**NOTE: Must be installed by a licensed electrician per local codes.  
For Questions Call 1-888-882-1350**

010813

**RECOMMENDED  
FOCUS FA-26  
Mounting Pedestal**



FFL-24-T5HO  
FFL-39-T5HO  
FFL-54-T5HO  
FFL-17-T8  
FFL-25-T8  
FFL-32-T8

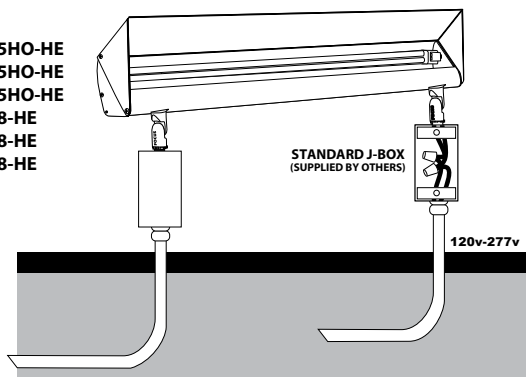
3. Slide lens outward to expose lamp.
4. Replace with correct wattage type of lamp, marked on fixture label.
5. Re-install front lens & side plate screws.

## INSTALLATION INSTRUCTIONS FOR 120 - 277 VOLT T5HO & T8 FLUORESCENT FLOOD LIGHTS

INSPECTED BY:

1. Make sure electrical supply power is shut off at circuit breaker before starting fixture installation or servicing of fixture.
2. Using thread sealant, thread fixture onto junction box or other mounting device (not supplied) until it is at desired direction. Tighten provided lock nut to ensure that the fixture is firmly locked into adjusted position.
3. Attach fixture leads to line in leads observing polarity (black to black, white to white and green to ground) using approved silicone-filled safety wire connectors.
4. Attach junction box cover plate to junction box (not supplied). Make sure that wires are not pinched between junction box cover and junction box.
5. Coat exposed fixture threads with thread sealant to prevent moisture from entering junction box or other mounting device.
6. Install lamp; refer to section below.
7. To adjust fixture aiming angle, loosen swivel screw. **Do not remove completely.** Hold fixture at selected angle and tighten swivel screw firmly with #2 Phillips screw driver.
8. Turn power on to the fixture and check for proper operation.

FFL-24-T5HO-HE  
FFL-39-T5HO-HE  
FFL-54-T5HO-HE  
FFL-17-T8-HE  
FFL-25-T8-HE  
FFL-32-T8-HE



### LAMP INSTALLATION/REPLACEMENT:

**CAUTION: Do not exceed maximum wattage marked on fixture label.**

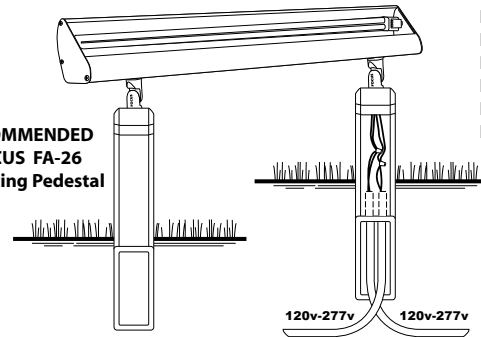
1. To prevent electrical shock, turn off electrical power supply before servicing.
2. Remove 2 side plate screws, loosen third screw and pivot side plate.

120v Install FFL T5HO/T8

**NOTE: Must be installed by a licensed electrician per local codes.  
For Questions Call 1-888-882-1350**

010813

**RECOMMENDED  
FOCUS FA-26  
Mounting Pedestal**



FFL-24-T5HO  
FFL-39-T5HO  
FFL-54-T5HO  
FFL-17-T8  
FFL-25-T8  
FFL-32-T8

3. Slide lens outward to expose lamp.
4. Replace with correct wattage type of lamp, marked on fixture label.
5. Re-install front lens & side plate screws.